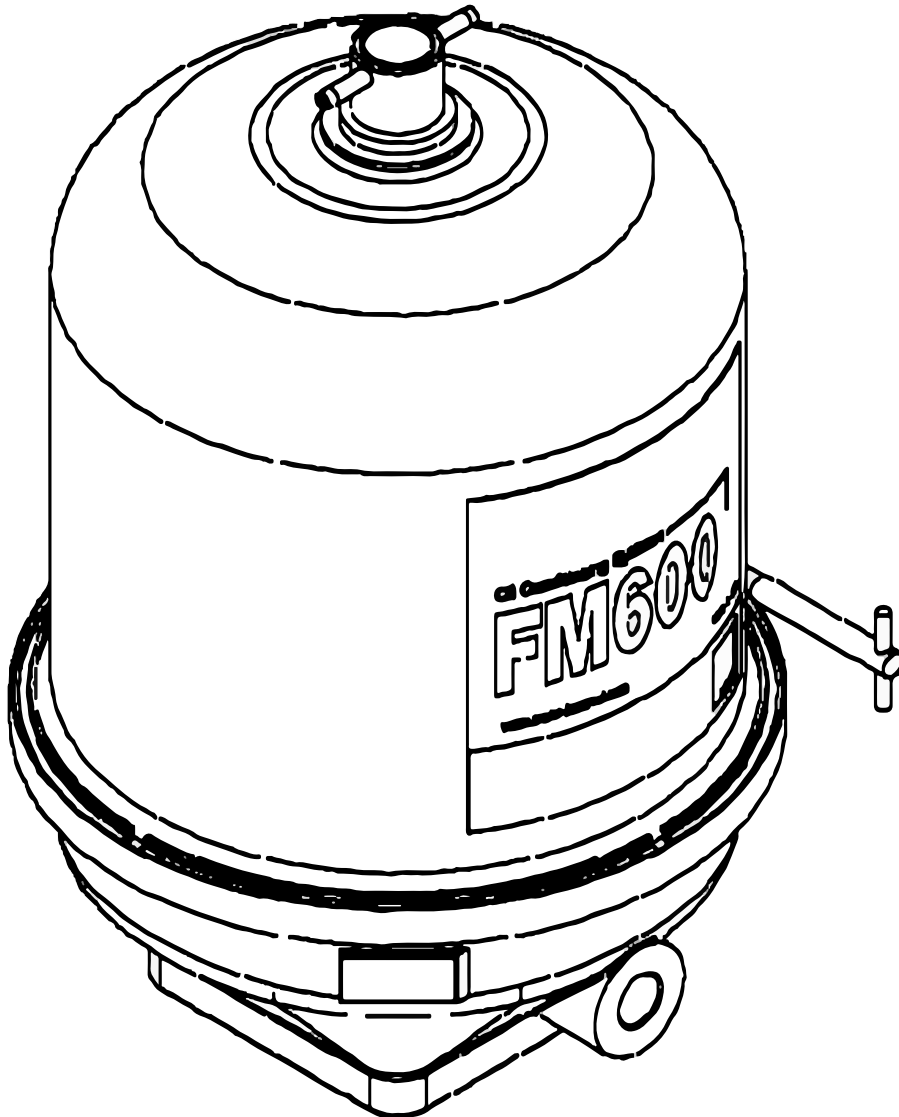




Filtration made easy...

OIL CONDITIONING SYSTEMS SPARE PARTS LIST



Working
Together



FM600-21 IND SERIES

MANN+HUMMEL FM600 Oil Cleaning Centrifuge Maintenance Procedure

Applicable for the FM600-21 IND series Centrifuge Range

For efficient and safe operation of the MANN+HUMMEL centrifuge it is essential that high standards of cleaning and maintenance are observed. Detailed below is the procedure for cleaning the MANN+HUMMEL FM600 centrifuge. This should be done after the first 100 hours of operation and then at regular intervals ensuring the thickness of the dirt deposit inside the rotor does not exceed 45mm.

Maintenance Procedure

1. Stop the flow of oil to the centrifuge by either stopping the engine or closing the centrifuge isolating valve (if fitted). Ensure the centrifuge has come to a complete stop before proceeding. If the centrifuge is mounted on a remote mounting base (p.n. 6899911101), the compressed air supply needs to be isolated. The safety drain cock must then be opened to release air pressure from inside the assembly. This safety drain cock must be closed before the centrifuge is restarted.
2. Remove the band clamp, unscrew the cover nut and remove the centrifuge cover assembly.
3. Allow the oil to drain out of the rotor assembly. This may be assisted by raising the rotor on the spindle. Withdraw the rotor assembly vertically upwards from the spindle. The rotor should be removed and replaced on the spindle with care in order to ensure that the rotor bearings are not damaged.
4. Unscrew the rotor cover nut on the rotor assembly, for this two 60mm sockets (3/4" drive) are required. A service tool is available (p.n. 6890691201) to aid disassembly. This is to be used in conjunction with the two 60mm (3/4" drive) sockets.
5. Carefully remove the rotor cover.
6. Carefully remove the rotor tube. This should ensure that the majority of sludge remains within the rotor tube.
7. Remove the paper insert from the rotor tube and clean any remaining sludge by using a wooden spatula or other non-damaging tool.
8. Carefully remove the separation cone from the rotor.
9. Clean the rotor tube, separation cone, rotor body and other parts using a suitable cleaning liquid.
10. Check the rotor nozzles to ensure free passage of oil.
11. Examine the top and bottom bearings of the rotor for excessive wear.
12. Replace the separation cone, making sure that it is properly located on the rotor base. If the separation cone does not fit properly, ensure the location area is free from dirt and refit the separation cone. If the separation cone shows any sign of damage then it should be replaced.
- 12.1 Assembly of the rotor with a damaged separation cone or with the separation cone incorrectly positioned may result in damage to the assembly.
13. Examine the rotor body o-rings for damage and renew if necessary (Kit No. 6899719601). A new seal should be fitted every 3000 hours or if the old seal is damaged.
14. Replace the rotor tube onto the rotor base ensuring the seal is positioned correctly.
15. Fit a new paper insert (6890302801) into the rotor body.
16. Replace the rotor top onto the rotor tube ensuring the seal is positioned correctly. Tighten the rotor nut to a torque of 40Nm (29.5 lbt). Incorrect torque may result in rotor imbalance.
17. Examine the spindle journals for damage or excessive wear.
18. If a remote mounting base (p.n 6899911101) is being used, the control mechanism should be checked. This can be done by using a thin wire with a hook formed on one end to raise the float within the remote mounting base. If the air supply to the unit is turned on air should flow into the control mechanism. Airflow should stop when the float is lowered.
19. Replace the rotor assembly onto the spindle, avoiding damage to the bearings as before. Make sure the rotor assembly rotates freely.
20. Clean and inspect the cover, paying special attention to the cover nut assembly. The seal should be replaced if it shows signs of leaking (Kit No. 6899719601).
21. Examine the centrifuge body seal and renew if damaged (Kit No. 6899719601).
22. Replace the cover assembly and tighten the cover nut securely by hand only. Make sure that the cover is properly located so that the seal is properly compressed. Refit the band clamp and tighten hand tight. The band clamp must be securely fitted during operation of the centrifuge.
23. With the engine running, check all connections and joints for leaks. If excessive vibration occurs disassemble and inspect.

Important Notes

All rotors are precision balanced before leaving the factory. An out of balance condition can occur as a result of an uneven build up of sludge on the rotor wall or if the internal components of the rotor are damaged, incorrectly assembled, or excessively worn. The centrifuge should not be used if excessive vibration continues to occur during normal operation.

The maximum bearing clearances when new are 0.10mm in the top bearing and 0.13mm in the bottom bearing. If the top or bottom bearing clearance exceeds 0.3mm then either the bearing tube or preferably the whole rotor assembly should be replaced. Oil leaks should be cured as soon as they occur by replacing seals and other parts as necessary.

Maintenance Action

Every Oil Drain Interval:

- Clean Rotor Assembly / Replace Paper Insert (6890302801)
- Inspect Centrifuge Body O-Ring & Rotor Body O-Rings. Replace if damaged (Kit No. 6899719601)
- Check Cover Nut O-Ring for leaks and replace if necessary (Kit No. 6899719601).
- Inspect Rotor Bearings for wear and replace Bearing Tube Assembly if necessary.
- Inspect Spindle for wear and replace Centrifuge Body Assembly if necessary.

Engine Overhaul:

- Replace Centrifuge

Please note that this should be used as a guide only. Maintenance intervals for the centrifuge are dependant on a number of factors and differ with engine type and operational environment.

Spare Parts List

FM600	Part Number	QTY	FM600-21 IND (6899145401)
OIL INLET THREAD			3/4" BSP
BODY ASSEMBLY	6899226001	1	•
ROTOR ASSEMBLY	6899419001	1	•
NOZZLE	6899490301	2	•
BEARING TUBE ASSEMBLY	6899517101	1	•
SEPARATION CONE	6893319301	1	•
CIRCLIP	6890120516	1	•
PAPER INSERT (NOT SHOWN)	6890302801	1	•
ROTOR COVER	6890464701	1	•
ROTOR BASE	6890445801	1	•
ROTOR TUBE	6890445101	1	•
COVER ASSEMBLY	6899316801	1	•
COVER SUB ASSEMBLY	6899069201	1	•
BAND CLAMP	6890335201	1	•
FM400 KITS			
COVER NUT FIXING KIT	6899078301	1	•
ROTOR COVER NUT KIT	6899719501	1	•
SEALS KIT	6899719601	1	•

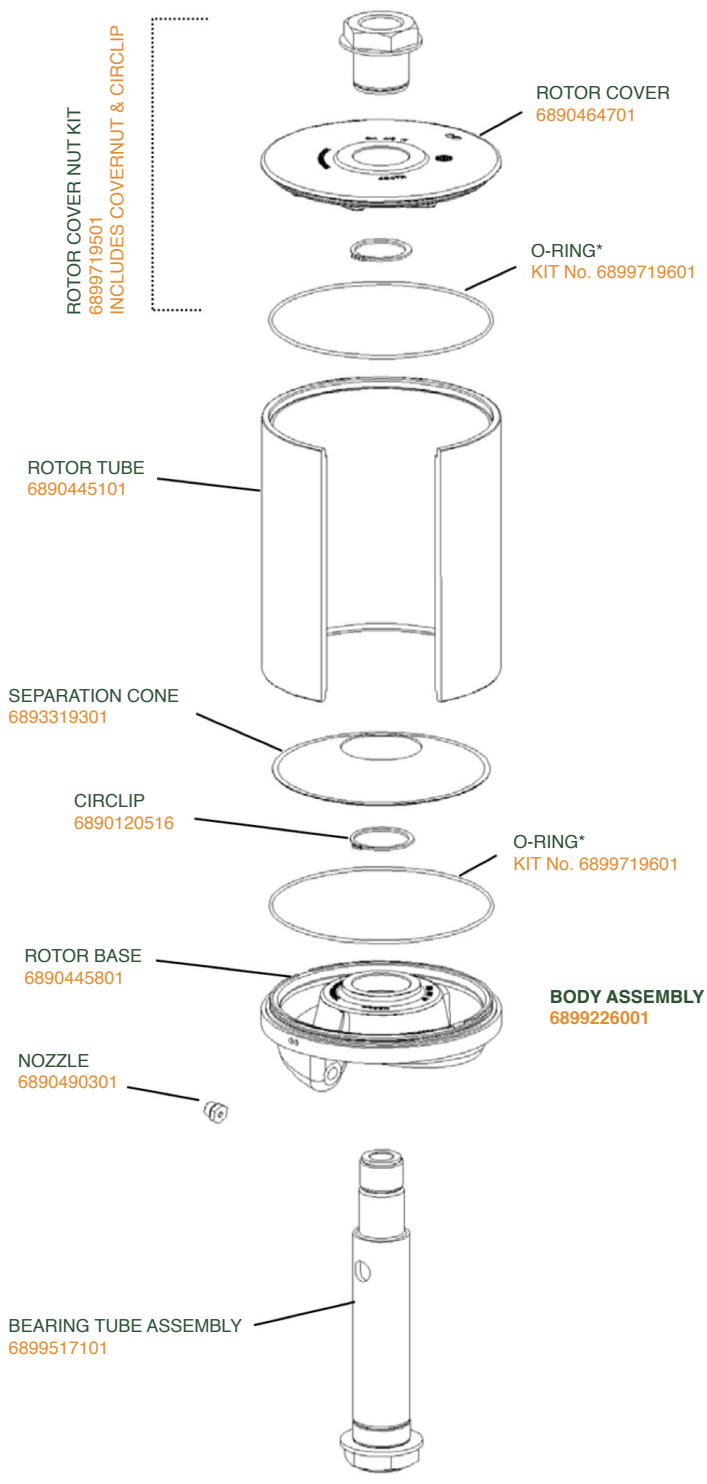
Speak To An Advisor Today About Centrifuge...

ROTOR ASSEMBLY
6899419001

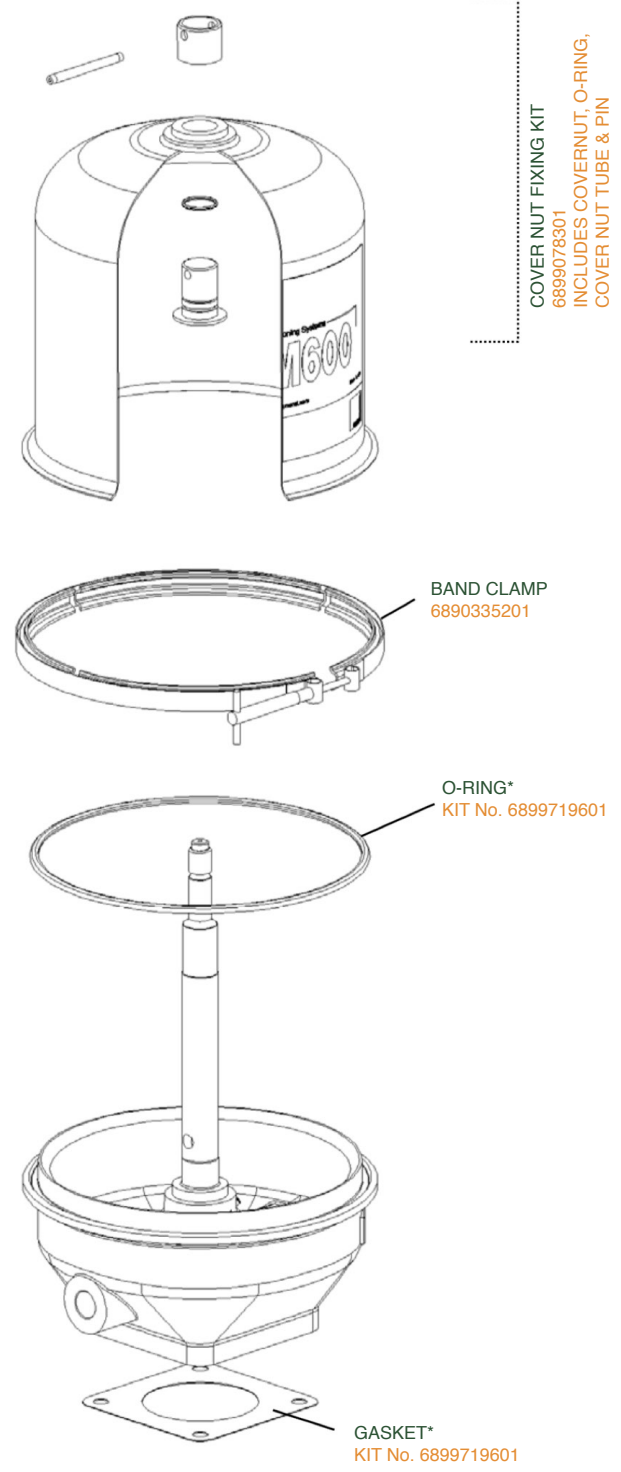
COVER ASSEMBLY
6899316801

ROTOR COVER NUT KIT
6899719501
INCLUDES COVERNUT & CIRCLIP

COVER NUT FIXING KIT
6899078301
INCLUDES COVERNUT, O-RING,
COVER NUT TUBE & PIN



BODY ASSEMBLY
6899226001



SEALS KIT P.N. 6899719601 COMPRISES OF: C.O.V. WASHER, FILTER BODY O RING, CVR NUT O RING, 2 x RTR BODY O RINGS & BASE GASKET



1a Station Road
Lenwade
Norwich
Norfolk
NR9 5LY

T +44 (0)1603 870959
F +44 (0)1603 879803
E info@largo-grp.com



Find Us...

